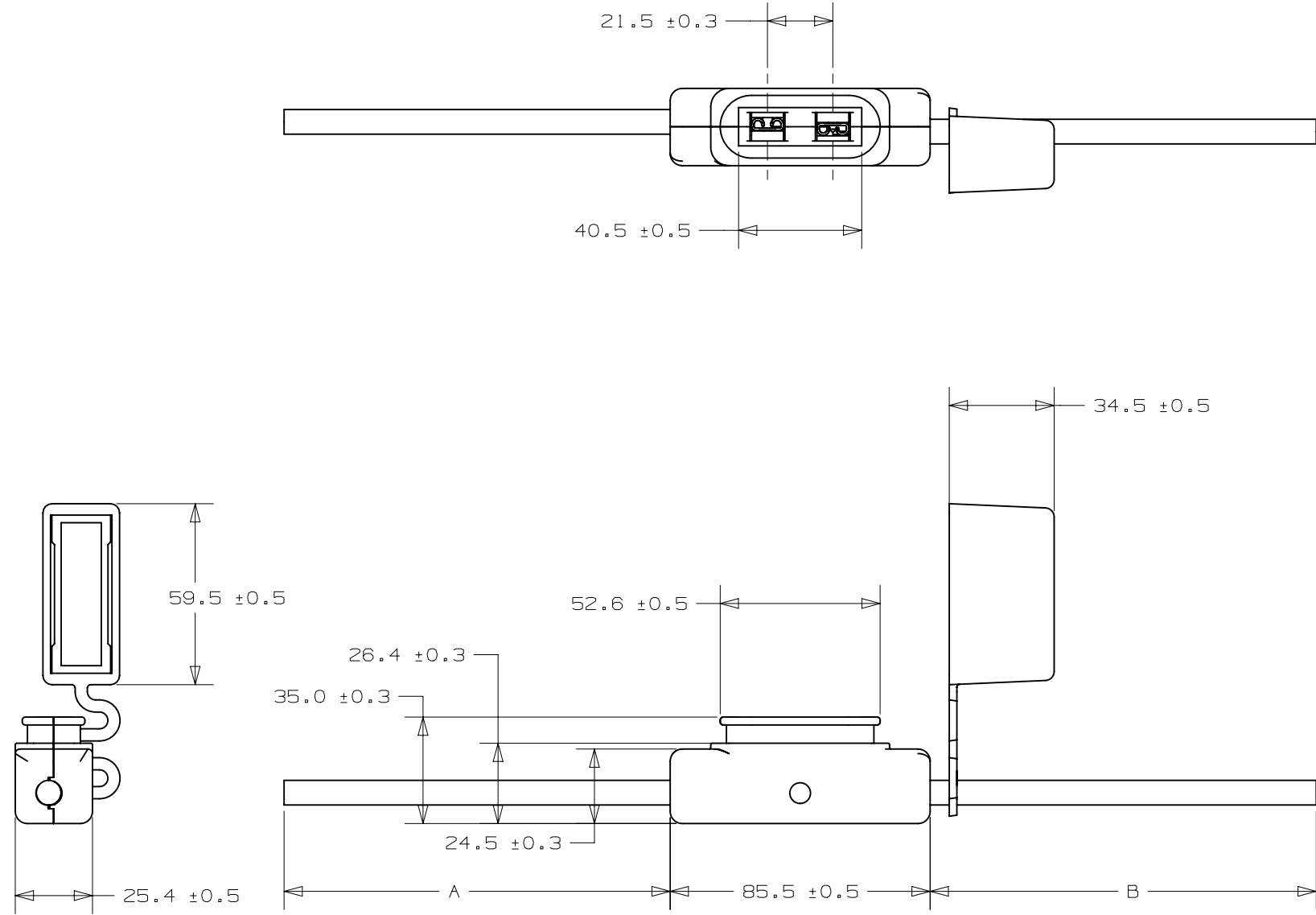


PART NUMBER	"A"	"B"	LEAD "A" COLOR	LEAD "B" COLOR
MAHC0001ZXJ	127.0 ±5.0	127.0 ±5.0	BLACK	BLACK



- GENERAL NOTES:
- COVER TETHER IS SLID ON EITHER WIRE LEAD, UP TO THE BODY.
 - FUSEHOLDER IS SHIPPED WITH COVER SNAPPED ONTO BODY.
 - RATING: MAX. 60A, 32 VDC AT A MAX. OPERATING TEMP OF 80°C.
 - INSULATING BODY: BLACK/PC
 - INSULATING COVER: BLACK/TPV
 - WIRE: 6AWG, UL 3288, 150°C RATED

METRIC
ASSEMBLY

UNLESS OTHERWISE SPECIFIED, DIMENSIONS ARE IN MILLIMETERS. DIMENSIONS IN BRACKETS [] ARE INCHES
UNLESS OTHERWISE SPECIFIED, DIMENSIONS DO NOT INCLUDE PLATING.
⊙ DENOTES CRITICAL CHARACTERISTICS.
CPK DENOTES CPK DIMENSIONS, -MINIMUM CPK VALUE
ST DENOTES A CHARACTERISTIC THAT PROVIDES AN INDICATION OF PROCESS PERFORMANCE. PROCEDURE FOR MEASUREMENT AND TRACKING TO BE DEFINED IN LITTELFUSE INSPECTION INSTRUCTIONS
CP DENOTES CP DIMENSIONS, -MINIMUM CP VALUE MUST BE WITHIN THE DIMENSIONAL LIMITATIONS SHOWN ON DRAWING AND INITIALLY LOCATED TO ALLOW FOR MAXIMUM TOOL LIFE

NO	COMPONENT NO	DESCRIPTION	QTY/M	U/M
BILL OF MATERIAL				

COPIES TO		MATERIAL SPEC	
1	9	FINISH	
2	10	DRW	DATE 09/16/14
3	12	FYUE	SCALE 1:2
4	13	CHK	DATE
5	14	APPD	DATE
6	15	FINISH GOOD WT	
7	16	GRAMS/PIECE	
8	17	TOLERANCES UNLESS OTHERWISE SPECIFIED (REF. ISO 2768-mK)	
18	19	DIMENSION	UP TO OVER UP TO OVER UP TO OVER
20	21	0.5 - 3	3 - 6 6 - 30 30 - 120 120 - 400
22	23	TOLERANCE	+0.1 ±0.1 ±0.2 ±0.3 ±0.5
24	25	3RD ANGLE PROJECTION	
26	27	TITLE	
28	29	HOLDER, MAXI INLINE WITH COVER	
30	31	LITTELFUSE	
32	33	DES. PLAINES, ILLINOIS 60016	
34	35	REVISION	DRWG. NO.
36	37	A	A
38	39	DATE	MAHC0001ZXJ
40	41	09/16/14	OUTLINE
42	43	511021ERA-NEW RELEASE	
44	45	FYUE	
46	47	CHK	
48	49	APD	